



## DAVEY

### APPLICATIONS

Ideal for most swimming pool applications such as:

- Inground swimming pools
- Above ground swimming pools
- Swimming pools up to 90,000 litres



### WHY CHOOSE THE Crystal Clear™ Fibreglass Media Filter?

Virtually maintenance free and easy to use.

Internally designed to offer greater water efficiency during maintenance.

Constructed from strong corrosion and UV resistant polyester reinforced fibre glass, providing long and reliable working life.

Specially designed T-Laterals and hub assembly to optimise water flow for efficient filtration, backwashing and water savings.

Computer designed providing optimal tank strength and filtration performance.

Large diameter tank for maximum filtration area.

Large media capacity providing less frequent backwashing to save water.

Premium quality 6-way ABS multiport valve for easy backwash and filter control at the flick of a handle.

Built-in waste port sight glass for high visibility of water during backwashing.

Stainless steel liquid filled pressure gauge makes it easy to see when backwashing is required.

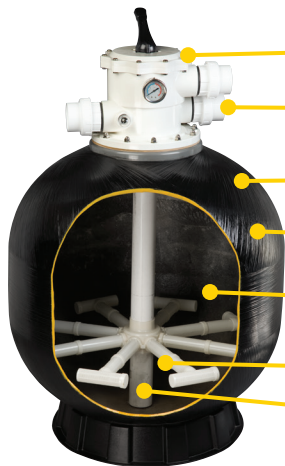
Automatic air bleed prevents the build up of air in the tank ensuring effective filtration.

A.B.S. barrel unions supplied makes installation simple.

High rate design for maximum efficiency, suitable for sand, Zelbrite and silica media.

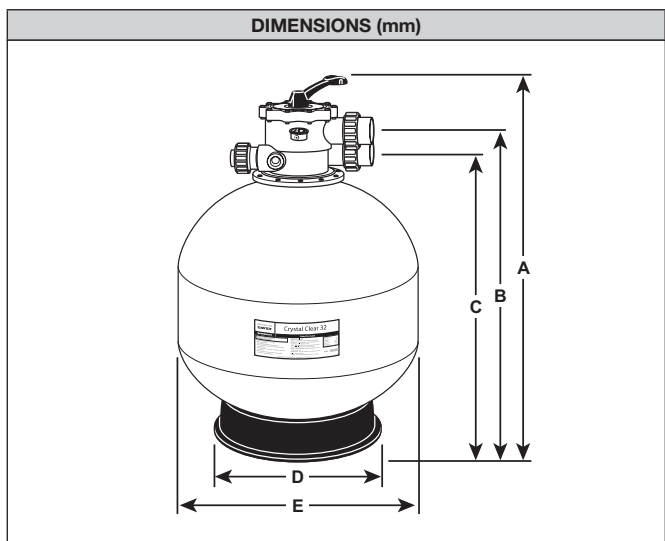
Combine with Zelbrite Ultimate filter media for superior water clarity, reduced backwashing and long media life.





- Premium quality 6-way multi port valve with integrated sight glass and liquid filled pressure gauge for optimum filter control.
- Robust barrel unions for easy installation and maintenance (flexi-joint unions on 18"-25" only).
- Cylindrical shape provides the most efficient filtration operation.
- Long life one piece UV stabilised, filament wound fibreglass and polyethylene tank (PE inner tank, 18"-25" only).
- Large media area means better filtration with high efficiency.
- Large surface area lateral under drain for high flow and efficient backwashing.
- 25" Diameter Filter with 40/50 or 50/50 Inlet and Outlet.

Model	Sand Required (kg/bags)	Zelbrite Required (kg/bags)	Maximum Flow Rate (lpm)	Minimum Backwash Flow Rate (lpm)	6 Hour Turnover* (litres)	Filtration Area (m²)
CCF21	85/5	64/5	185	123	66,600	0.22
CCF25	145/8	109/8	260	173	93,600	0.32
CCF2550	145/8	109/8	260	173	93,600	0.32
CCF28	215/11	161/11	336	224	120,960	0.41



Model	A	B	C	D	E	Inlet PVC	Outlet PVC
CCF21	848	733	673	500	535	40/50*	40/50*
CCF25	953	838	778	500	635	40/50*	40/50*
CCF2550	984	844	763	500	635	50/50	50/50
CCF28	1092	960	877	500	723	50	50

\*40/50mm tail on unions allow connection of a DN40 PVC pipe or into the socket/collar of a DN50 PVC pipe.

**MODEL NUMBER IDENTIFICATION**

<b>CCF</b>	<b>28</b>
CCF = Crystal Clear™ Fibreglass	28 = 28 inch tank diameter

**OPERATING LIMITS**

Maximum water temperature	40°C
Maximum operating pressure	280kPa

Model	Up to Pool Volume (Litres)
CCF21	40,000
CCF25	70,000
CCF2550	70,000
CCF28	90,000

Please refer to EcoPure® datasheet for larger pool size requirements.